



CB15

Heavy-Duty, One Gallon Food Blender



*Made in USA with US and foreign parts.

ELECTRICAL

Voltage: 230
Frequency: 50/60Hz
Watts: 1800
Amps: 15
Plug Type: A
Cord Length: 6.6 feet



MAIN FEATURES

- Ultra-heavy-duty, 3.75 HP commercial motor — perfect for large loads and long blending times
- 3-speed selection and MAX PULSE to chop and mix
- Easy-to-clean and easy-to-use electronic membrane keypad
- 1 gallon stainless steel container with two handles for carrying and pouring, and lid clamps for security
- Easy-off, rubberized lid with removable clear cap for adding ingredients and for pressure reduction during hot food blending
- Durable, high-performance stainless steel blade
- Metal-on-metal, stainless steel coupling system for durability and reliability
- Durable, full die-cast motor housing with rugged rubber feet to reduce vibration
- Dishwasher-safe, one-piece jar pad for easy cleaning
- Recommended for 100+ drinks or servings per day
- Limited Three-Year Motor Warranty

SALES FEATURES

The Waring® CB15 has your back when it comes to ultra-heavy-duty blenders, making 100+ drinks per day. Chop, mix and shred large loads that need long blending times with a powerful 3.75 HP motor and electronic keypad controls. The durable, 1 gallon stainless steel container means business with two handles for carrying and pouring, and lid clamps for security.

Heavy-Duty, One Gallon Food Blender

CB15



Heavy-Duty, One Gallon Food Blender CB15

INCLUDED ACCESSORIES



CB15BU Base Unit



CAC77 Vinyl Lid for 1 Gallon Blender Jar



CBL10 Hot Blending Lid for 1 Gallon Blenders



CAC72 Two-Handle, 1 Gallon Stainless Steel Container with Blade Assembly and Lid

OPTIONAL ACCESSORIES



CAC125 Two-Handle, 1 Gallon Stainless Steel Container with Spigot, Blade Assembly and Lid



CAC170 1 Gallon, Stackable, 128 oz., BPA-Free Copolyester Container with Blade Assembly and Lid



CAC32 40 oz. Glass Container Complete with Blade Assembly and Lid (requires AD1)



AD1 1 Quart Adapter for 1 Gallon Blenders



CAC19 48 oz., BPA-Free Copolyester Container Complete with Blade Assembly and Lid (requires AD1)



CAC33 32 oz. Stainless Steel Container Complete with Blade Assembly and Lid (requires AD1)



CAC02 Outer Lid ONLY for 48 oz., BPA-Free Copolyester or 64 oz. Stainless Steel Container

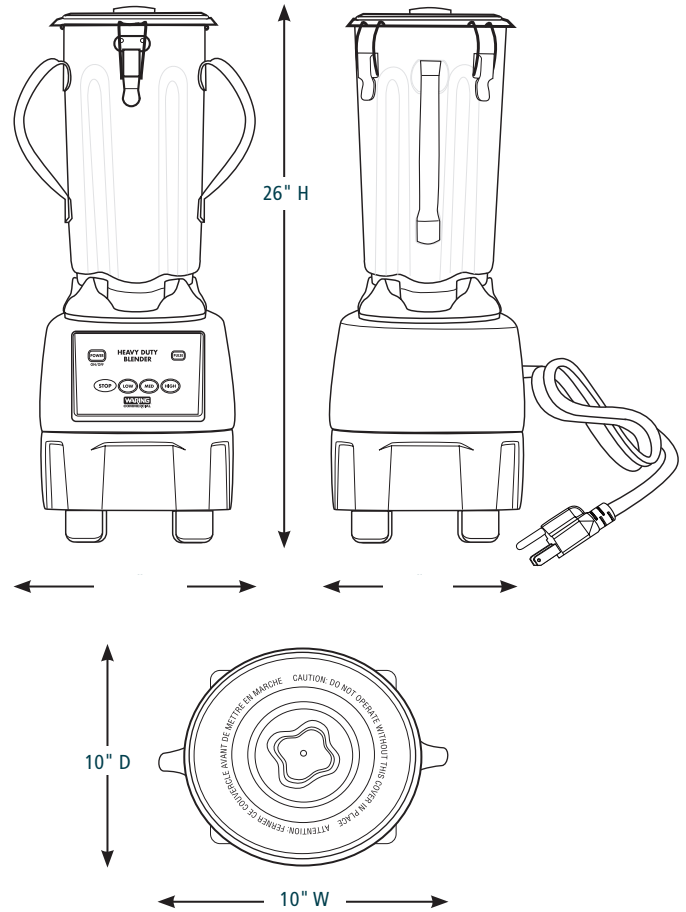


CAC04 Outer Lid ONLY for 32 oz. Stainless Steel Container



CAC05 Center Lid ONLY for CAC01, CAC02, and CAC04

DIMENSIONS



Out of Box Weight: 32.4 lb.

ORDERING INFORMATION	#STD. PKG.	GIFTBOX WEIGHT	CUBIC FEET	BOX DIMENSIONS L x W x H	UPC	CASE PKG.	MC WEIGHT	MC DIMENSIONS L x W x H	MBC
CB15 – One Gallon, 3-Speed Food Blender	1	38	2.1	22.0" x 14.3" x 14.8"	040072000836	1	40	22.5" x 15.3" x 16"	10040072000833



WolfLabs

Pricing on any accessories shown can be found by keying the part number into the search box on our website.

The specifications listed in this brochure are subject to change by the manufacturer and therefore cannot be guaranteed to be correct. If there are aspects of the specification that must be guaranteed, please provide these to our sales team so that details can be confirmed.

www.wolflabs.co.uk

Tel : 01759 301142

Fax : 01759 301143

sales@wolflabs.co.uk

Please contact us if this literature doesn't answer all your questions.